

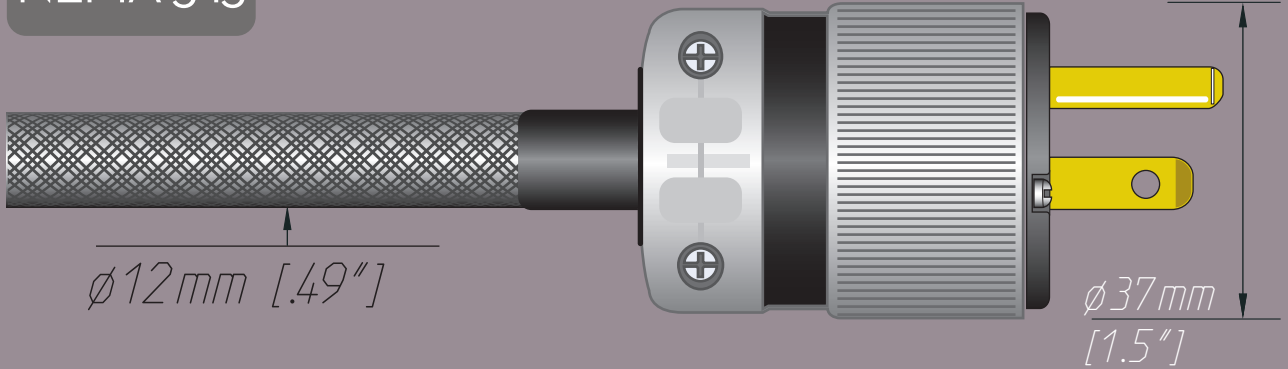


SineWave 63+

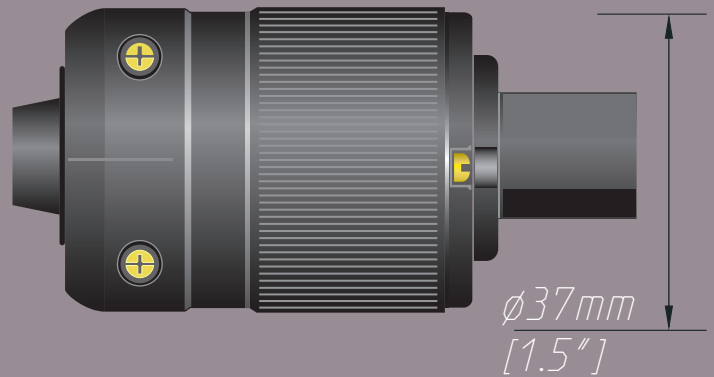
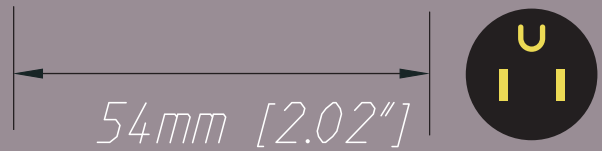
TECHNOTES



NEMA 5-15



Cable Capacitance: 21 pF/ft.
DC resistance:
One meter loop =.02 Ohms
Conductors: OFHC Copper,
FMS fine wire helical serve.
Dielectric materials:
TPFE (Teflon) and PE.
Shields: 2 - tinned copper braid.
Connectors-NEMA 5-15:
Marinco (Watt Gate)
NEMA 5-20: Leviton high-
conductivity brass, hospital grade.
Connectors-IEC:
Marinco IEC 15 Amp.
Hubble 20 Amp IEC.
Cable min. bend radius: 5".



IEC-320



FmsCable

Phone: (805) 277-0605 Fax: (805) 504-1349

FMS SineWave+
© 2006 FMS Cable/
A. W. Gibson