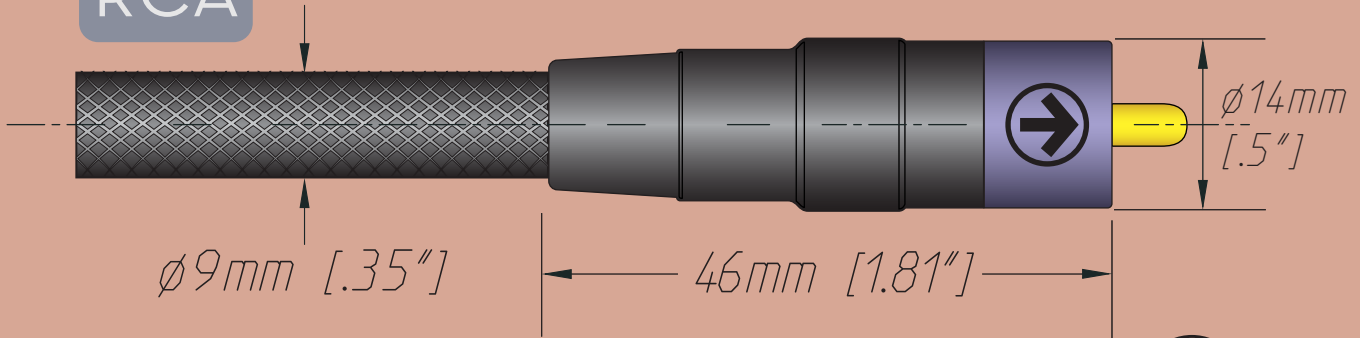




# Nexus 3 Digital Cable

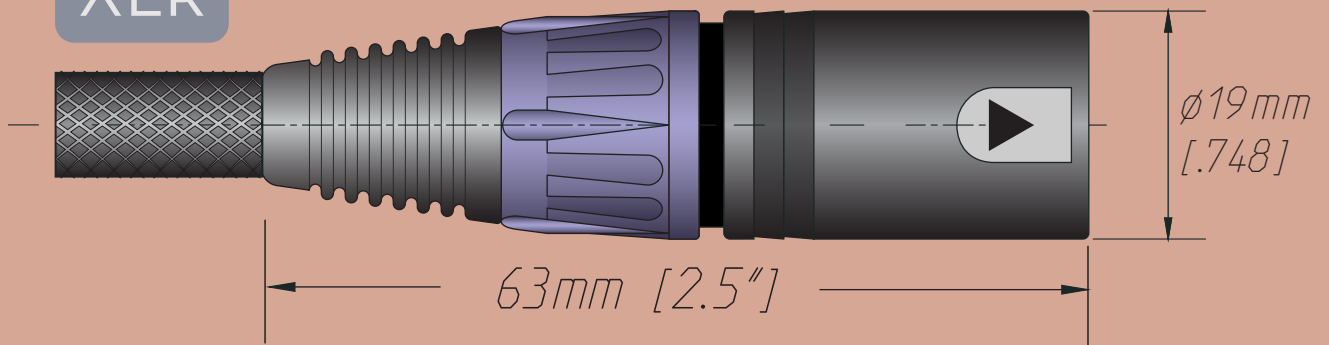
TECHNOTES

RCA



XLR

NEUTRIK



Cable Capacitance: 21 pF/ft.

DC resistance: One meter loop = 0.03 Ohms

Conductors: OFHC Copper,  
FMS fine wire helical serve.

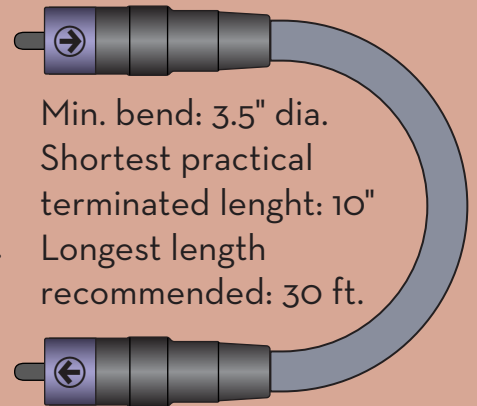
Dielectric materials: TPFE (Teflon) and PE.

Shields: 2 - OFHC helical copper and copper braid.

Connectors-RCA: FMS gold plated OFHC copper.

Connectors-XLR: Neutrik NC3-MXB (Gold)

Connectors-BNC: Canare 75 Ohm.



# FmsCable

Phone: (805) 277-0605 Fax: (805) 504-1349

FMS Nexus 3 Digital IC  
© 2006 FMS Cable  
A. W. Gibson